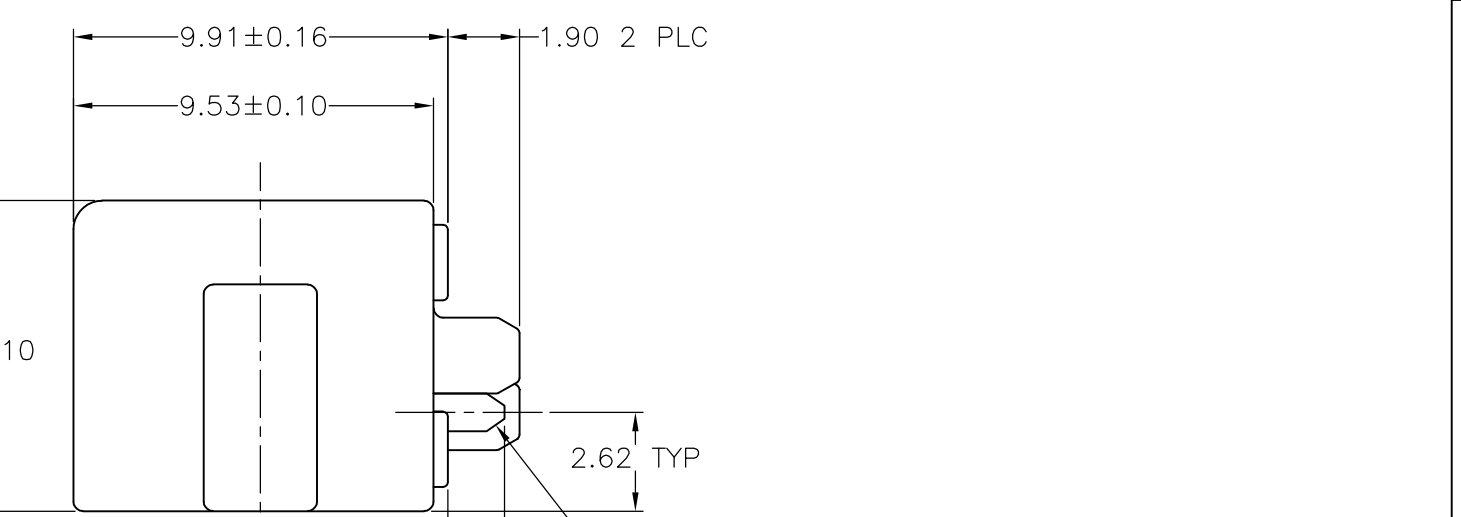
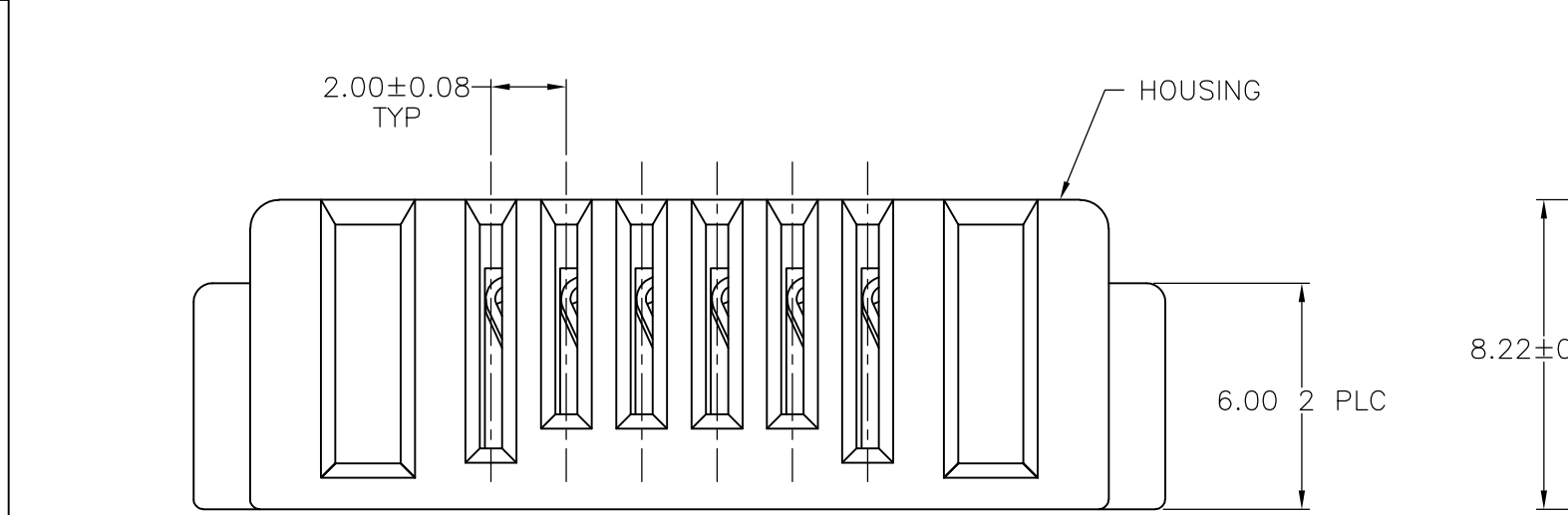
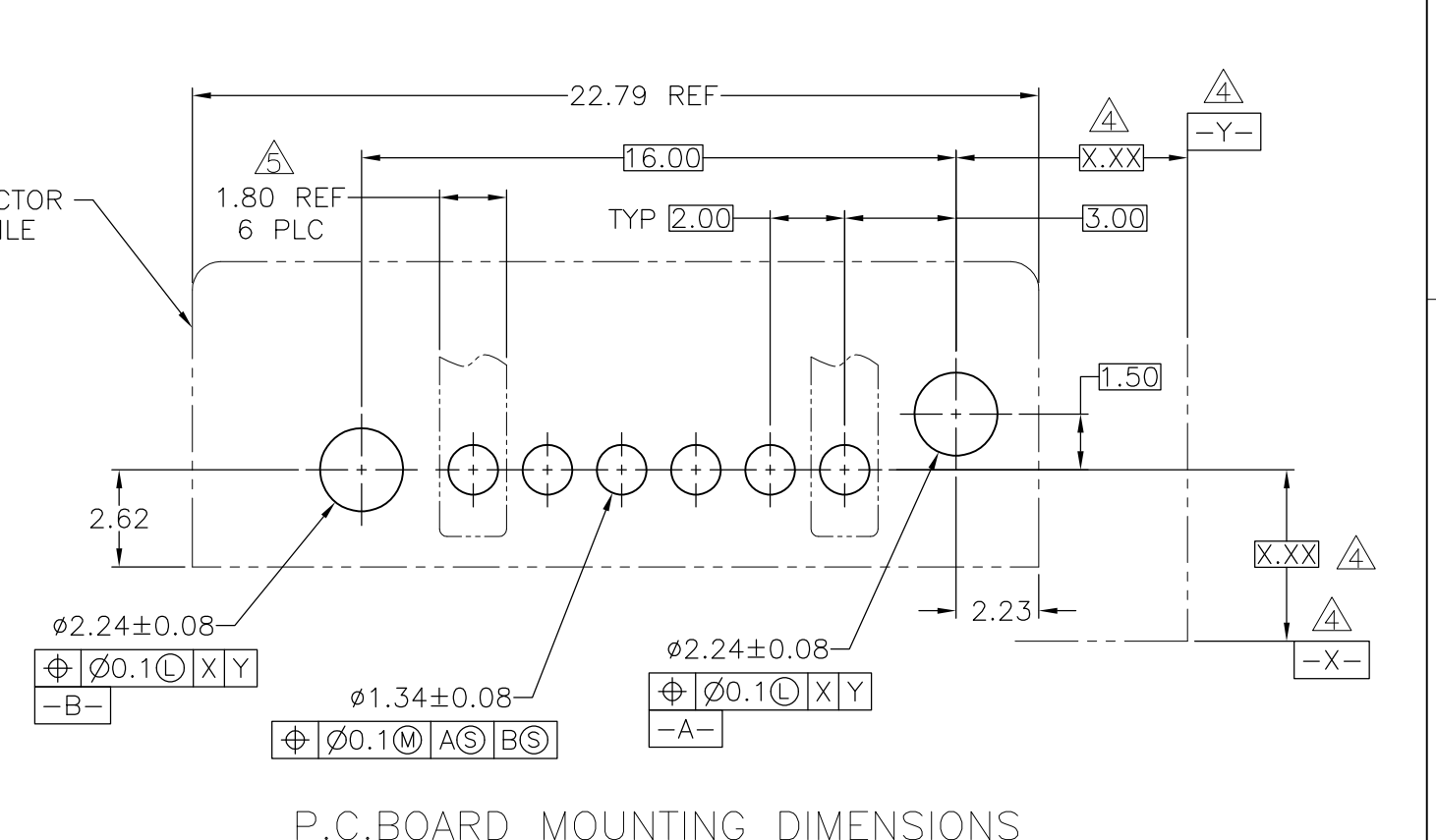
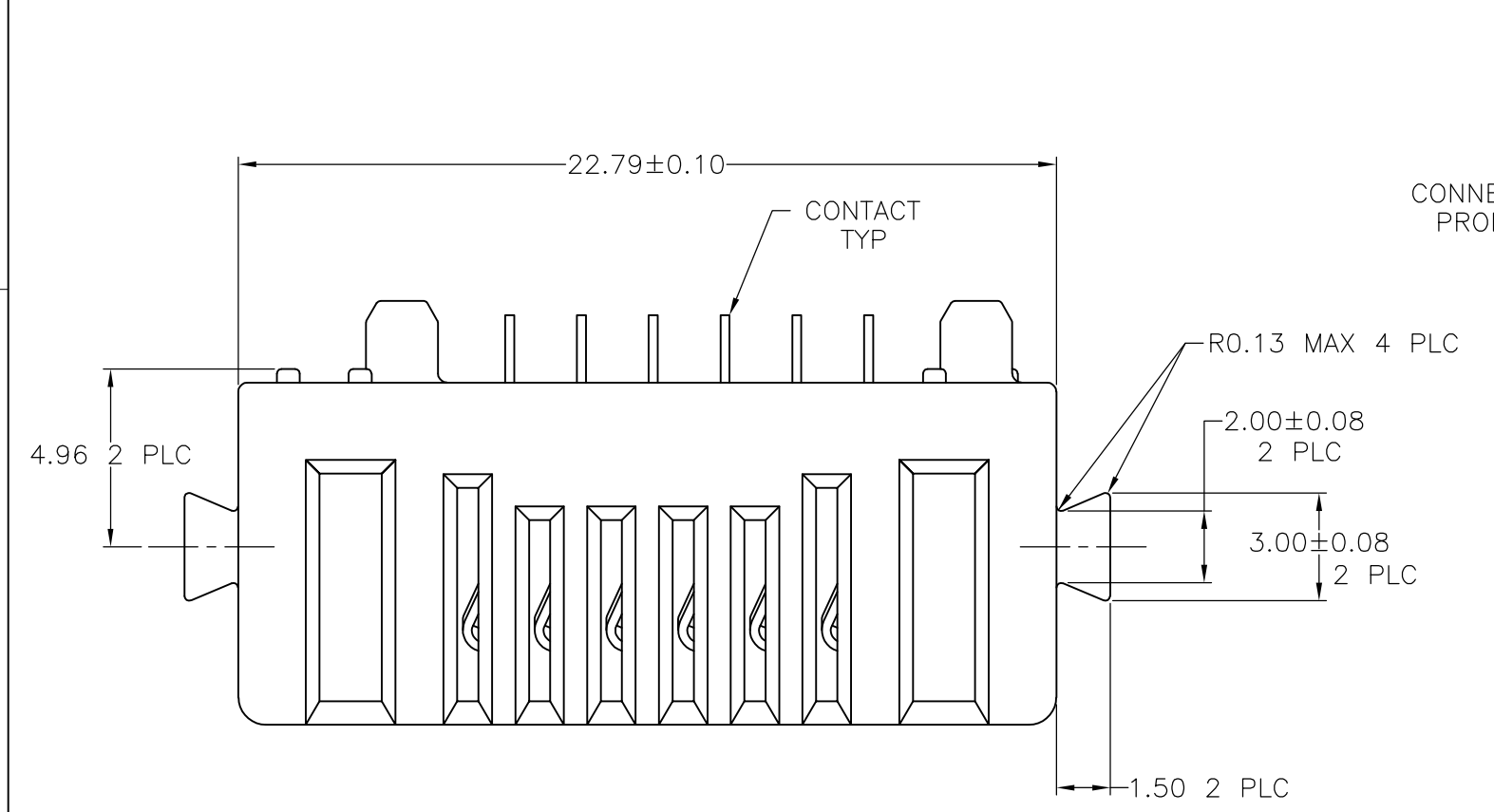


THIS DRAWING IS UNPUBLISHED. RELEASED FOR PUBLICATION  
 © COPYRIGHT - By - ALL RIGHTS RESERVED.

LOC	DIST	REVISIONS					
ES	00	P	LTR	DESCRIPTION	DATE	DWN	APVD
		A1		REVISED PER ECO-11-005033	29MAR11	RK	HMR



2.03	5787253-2
1.50	5787253-1
C	PART NO.

NOTE:  
 ① LCP, UL 94V-0 RATED, BLACK.  
 ② PHOSPHOR BRONZE.  
 ③ 0.076um MIN. GOLD OVER 0.76um MIN. PALLADIUM NICKEL ON MATING AREA, 3.80um MIN. TIN ON SOLDER TAIL, ALL OVER 1.27um MIN. NICKEL.  
 ④ DATUMS AND BASIC DIMENSIONS ESTABLISHED BY CUSTOMER.  
 ⑤ RECOMMENDED MINIMUM TRACE WIDTH FOR END POSITIONS WHEN CARRYING 3 AMPS: 1.8 WIDE x 55um THICK, BOTH SIDES.

THIS DRAWING IS A CONTROLLED DOCUMENT.		DWN	GAVIN ZHANG	23NOV04	 TE Connectivity	RECEPTACLE ASSEMBLY, 6 POSITION, THRU-HOLE, MDI		
DIMENSIONS: mm		CHK	STEVEN YAO	23NOV04		NAME		
TOLERANCES UNLESS OTHERWISE SPECIFIED:		APVD	I. ENOMOTO	23NOV04		PRODUCT SPEC		
0 PLC ± - 1 PLC ± - 2 PLC ± 0.13 3 PLC ± - 4 PLC ± - ANGLES ± -		APPLICATION SPEC		NAME				
MATERIAL		WEIGHT		SIZE		CAGE CODE	DRAWING NO	RESTRICTED TO
-		-		A3		00779	C-5787253	-
FINISH		CUSTOMER DRAWING		SCALE		SHEET	REV	
-				5:1		1 OF 1	A1	